



## IQo102100d1

### Direct connected 1-Phase DIN rail Meter

- > 100 Amp MODbus meter
- > MID certified
- > Designed for submetering off electrical loads, like EV-chargers, PV-Inverters with high Amps

#### Contact

[www.kwhiq.com](http://www.kwhiq.com)

[info@kwhiq.com](mailto:info@kwhiq.com)

+31 (0)73 544 3071



## Mainfeatures

### Measurement

- > Total active and reactive energy; Import and Export active and reactive energy; Instantaneous voltage and current, PF, Vrms, Irms, active and reactive power

### Profiles for energy measurement modes

- > 1: Total = Forward
- > 2: Total = Reverse
- > 3: Total = Forward +Reverse
- > 4: Total = Forward - Reverse (default)

### Privacy and security

Secured with 5 digit passcode

### Communication interface

- > MODbus RS485/RTU DLT645 standard
- > Baudrate 9600 (d)/19200/38400/115200
- > Parity: none, odd, even (d)
- > Optical IR

### Display

- > LCD with blue backlight, Three programmable display mode; Two LED, for active and reactive energy pulse output; independent LEDs on module to indicate communication status.
- > LCD 5+2 = 99999.99kWh

## Technical specifications

### Reference standard

- > EN 50470-1, EN 50470-3

### Approvals

- > MID/IEC/CE

### Electrical

<b>Accuracy</b>	Active	Class B
	Reactive	Class 2
<b>Voltage</b>	Rated Voltage	230V
	Voltage with standard	230V
	Operation voltage range	80% to 120% Un
<b>Current</b>	Rated current	5(100)A
	Starting current	20mA
<b>Frequency</b>	50Hz $\pm$ 2%	
<b>Power quality</b>	Voltage circuit	$\leq$ 1W
	Current circuit	$\leq$ 12VA
<b>Pulse constant</b>	1000 imp/kWh	

**Reliability**

Meter life	≥10 Years	Data retention	≥10 Years
------------	-----------	----------------	-----------

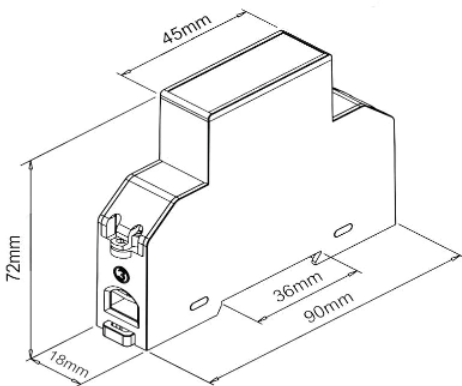
**Mechanical**

Dimensions (L x W x H)	18 x 90 x 72(mm)	Weight (Kg)	0.95
Enclosure material	PC+GF	Insulation protection	Class II

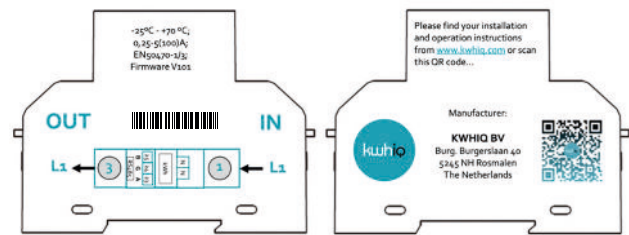
**Environmental**

Operating temperature	-25 ° C to 70 ° C	Storage temperature	-30 ° C to 70 ° C
Operating humidity	≤ 75% RH (max ≤ 95% RH)	Ingress protection	IP51 Indoor

**Overall dimensions**



**Wiring diagram**



**Display format**



- H Impulse indication
- I Button for data checking
- J L-out
- K L-in
- L Neutral Wire
- M LCD screen

## contactinformation



### Contact - NL

Burgemeester Burgerslaan 40  
5245 NH Rosmalen  
The Netherlands  
Phone: +31 73 544 3071



### Contact - BE

Metropoolstraat 11a  
B2900 Schoten  
Belgium  
Phone: +32 32 01 95 95



### Contact - UAE

Office 901 HQ Tower (North)  
Dubai Science Park PO.Box: 478817  
Dubai -United Arab Emirates  
Phone: +971 4 4422 9701

## Find us online

[www.kwhiq.com](http://www.kwhiq.com)  
[info@kwhiq.com](mailto:info@kwhiq.com)

